

iVascular[®]

therapies for living

capturer 6F & 7F

Thrombus extraction catheter

PTFE inner layer

specifically designed to
minimize friction and
assure fast thrombus
removal

Innovative tip

guarantees
aspiration power in
all circumstances

HYDRAX



Durable hydrophilic coating
for sustainable performance
and full control



www.ivascular.global

Quick access

Flat-wire braiding
Stiffening mandrel
Hydrophilic coating on the distal part of the device

Increased pushability without kinking to cope with the most tortuous anatomy

Forceful

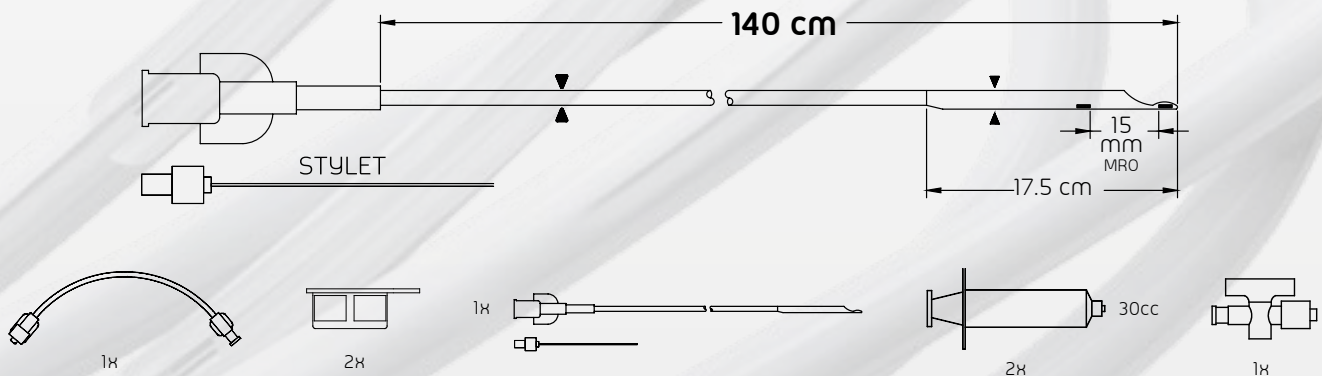
Superior extraction capability:
0.99 mm² (6F) - 1.39 mm² (7F)
PTFE inner layer specially designed to minimize friction and assure fast thrombus removal
Wire mesh through the catheter to avoid collapsing during aspiration

Secure

2 radiopaque markers ensure accurate positioning at all times

Capturer features

- > Rapid exchange length: **17.5 cm**
- > Usable length: **140 cm**
- > Entry profile: **0.021" (6F) - 0.025" (7F)**
- > Guiding catheter compatibility **6F & 7F**
- > Guidewire compatibility: **0.014"**
- > **RO** markers



Product with CE mark, certified by Notified Body 0318

References

Capturer 6F	DET R14 145 601
Capturer 7F	DET R14 145 701

Distributed by:



Manufactured by:

Life Vascular Devices Biotech S.L.
www.ivascular.global
info@ivascular.global